

FIGURE 1 SDG-7 PART # 166859

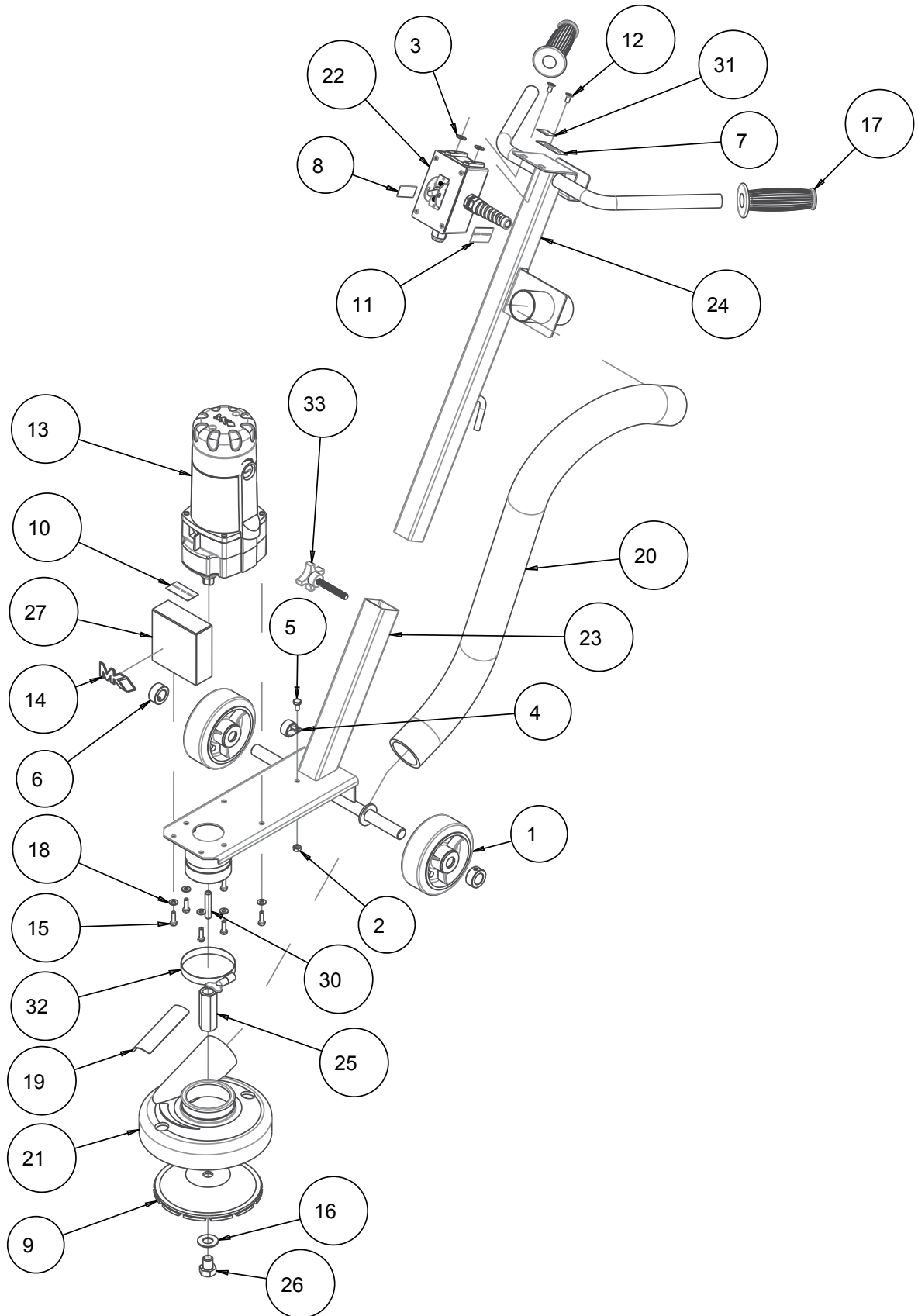
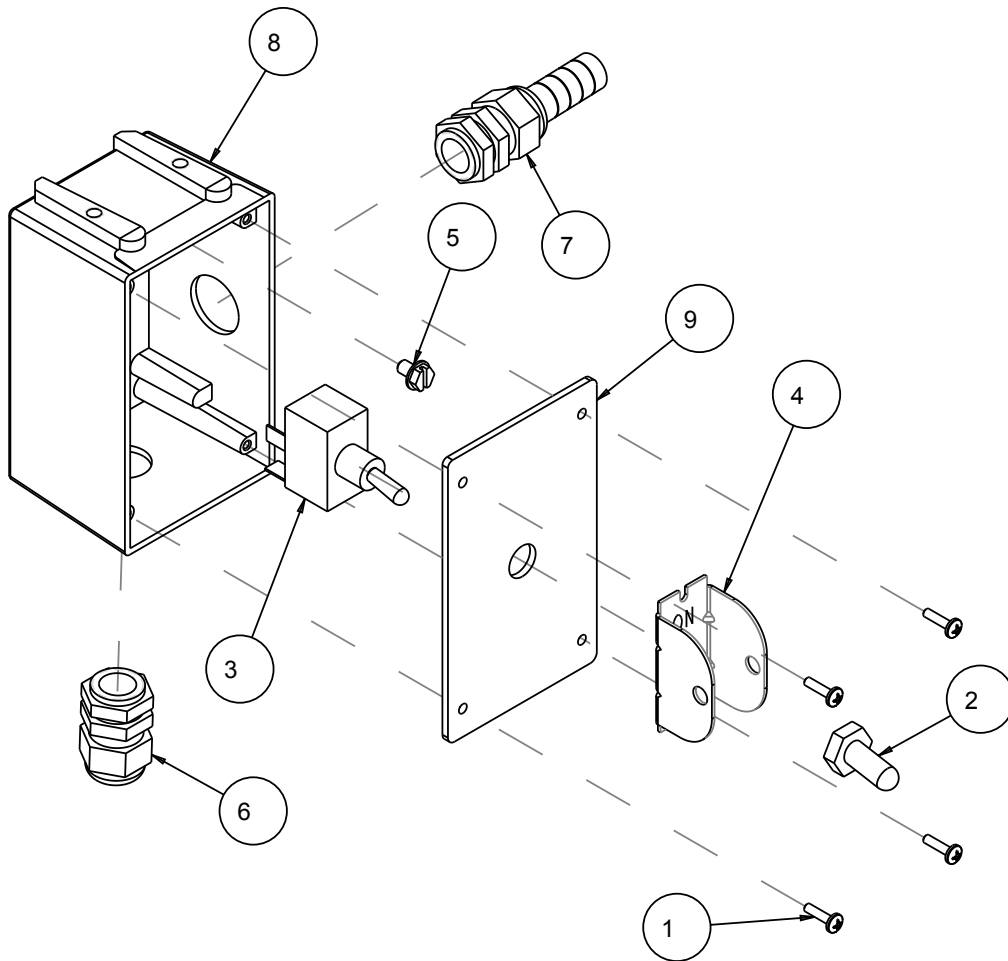


FIGURE 1 SDG-7 PART # 166859

ITEM	DESCRIPTION	PART #	QTY
1	WHEEL, FRONT 5" X 2" W	138537	2
2	NUT, HEX, 1/4 - 20	151893	1
3	WASHER, FLAT, SAE, 1/4	151915	2
4	CLAMP, 3/4 CUSHION LOOP	152594	1
5	SCREW, 1/4 -20 X 1/2 HEX HEAD	152608	1
6	COLLAR, SET, 3/4"	153814	2
7	LABEL, WARNING, READ MANUAL	154398	1
8	LABEL, INFORMATION ON SERVICE	155038	1
9	MK-304CGI 7X7/8-5/8	155446	1
10	LABEL, CAUTION, HANDS AND FEET	155585	1
11	LABEL, NOTICE, MOTOR PROBLEMS	155672	1
12	SCREW, FLAT HEAD, 1/4 - 20 X 1/2 PHIL	155812	2
13	MTR, 115V, 15A, AC	157801-C	1
14	LOGO, MK ADHESIVE	157914	1
15	SCREW, HEX HEAD CAP, M6 X 1 X 20MM	158158	6
16	WASHER, FLAT, 5/8 SAE	158350	1
17	GRIP, HANDLE 7/8 ID	158608	2
18	WASHER, FLAT M6	160215	6
19	LABEL, WARNING, SILICA, PROP 65	164202	1
20	HOSE, VACUUM 2"ID (36"L)	166536	1
21	ASSY, FULL DUST SHROUD / RING	166649	1
22	ASSY, SWITCH, SDG-7	166858	1
23	BASE WELDMENT	166860	1
24	HANDLEBAR, SDG-7	166861	1
25	SHAFT ADAPTOR	166863	1
26	SCREW, HHCS 5/8 - 11 X 3/4	167177	1
27	WEIGHT, 7" FLOOR GRINDER	167434	1
28	SLEEVE, SPLIT LOOM, 5/8" ID (14")	167662	1
29	OWNERS MANUAL SDG-7	168146	1
30	SCREW, SET M10 X 1.5 X 50MM	169045	1
31	LABEL, QR CODE	170480	1
32	CLAMP, DUST SHROUD, BLACK	170535	1
33	KNOB, FOUR ARM, 3/8-16 X 2-1/2	172214	1

FIGURE 2 SWITCH BOX PART # 166858



ITEM	DESCRIPTION	PART #	QTY
1	SCREW, #6 - 32 X 1/2 PAN HEAD SELF TAPPING	153459	4
2	COVER, SWITCH	154301	1
3	SWITCH, TOGGLE 125V 20A	154310	1
4	PLATE, TOGGLE SWITCH LOCKOUT	156211	1
5	SCREW, HEX HD FL, 10-24X 5/16	159597	1
6	MOTOR CORD	167176	1
7	CORD, POWER, 14/3 SJTW X 5-15P	167180	1
8	BOX SWITCH MOD	167432	1
9	PLATE, COVER	167433	1