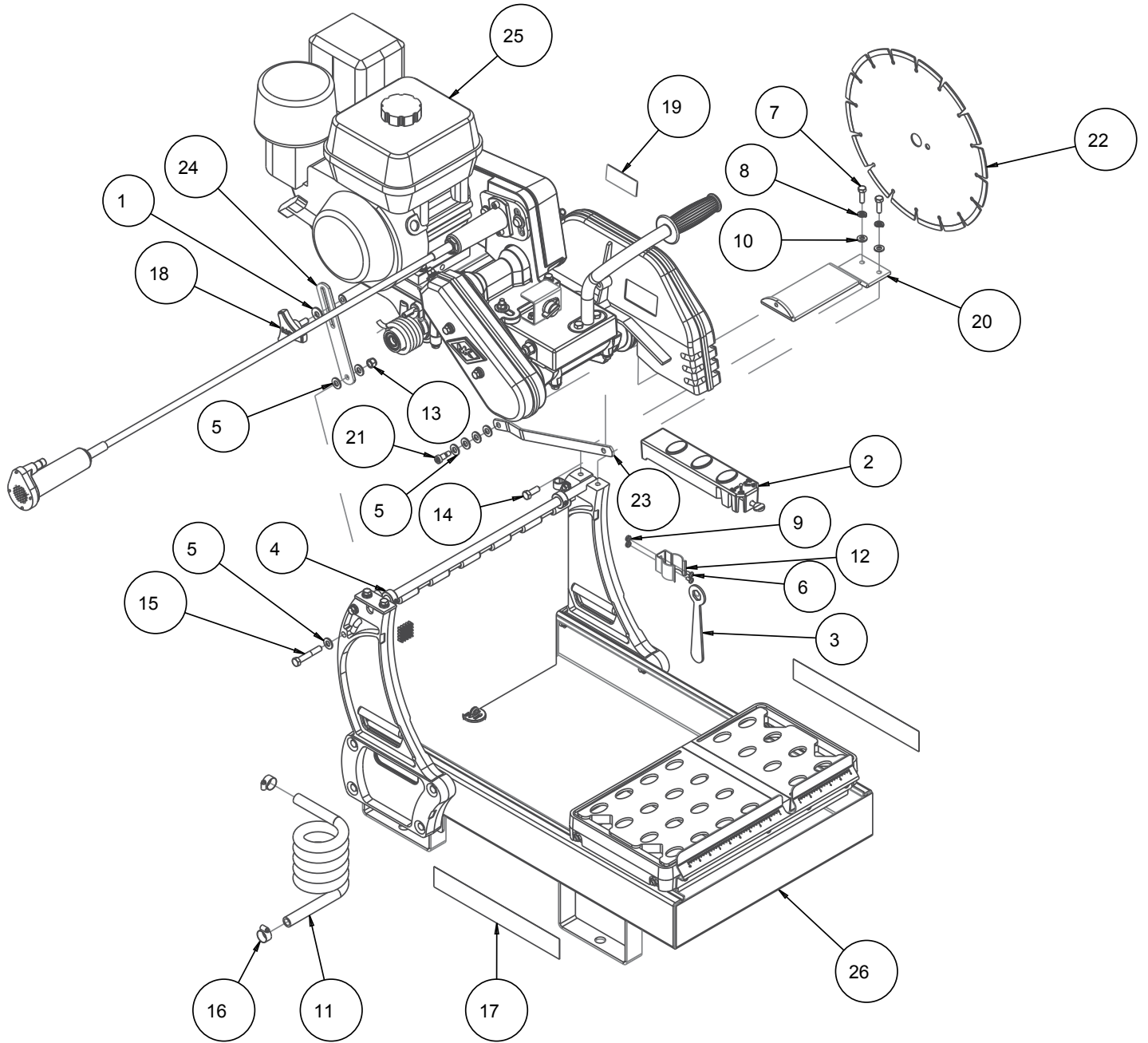


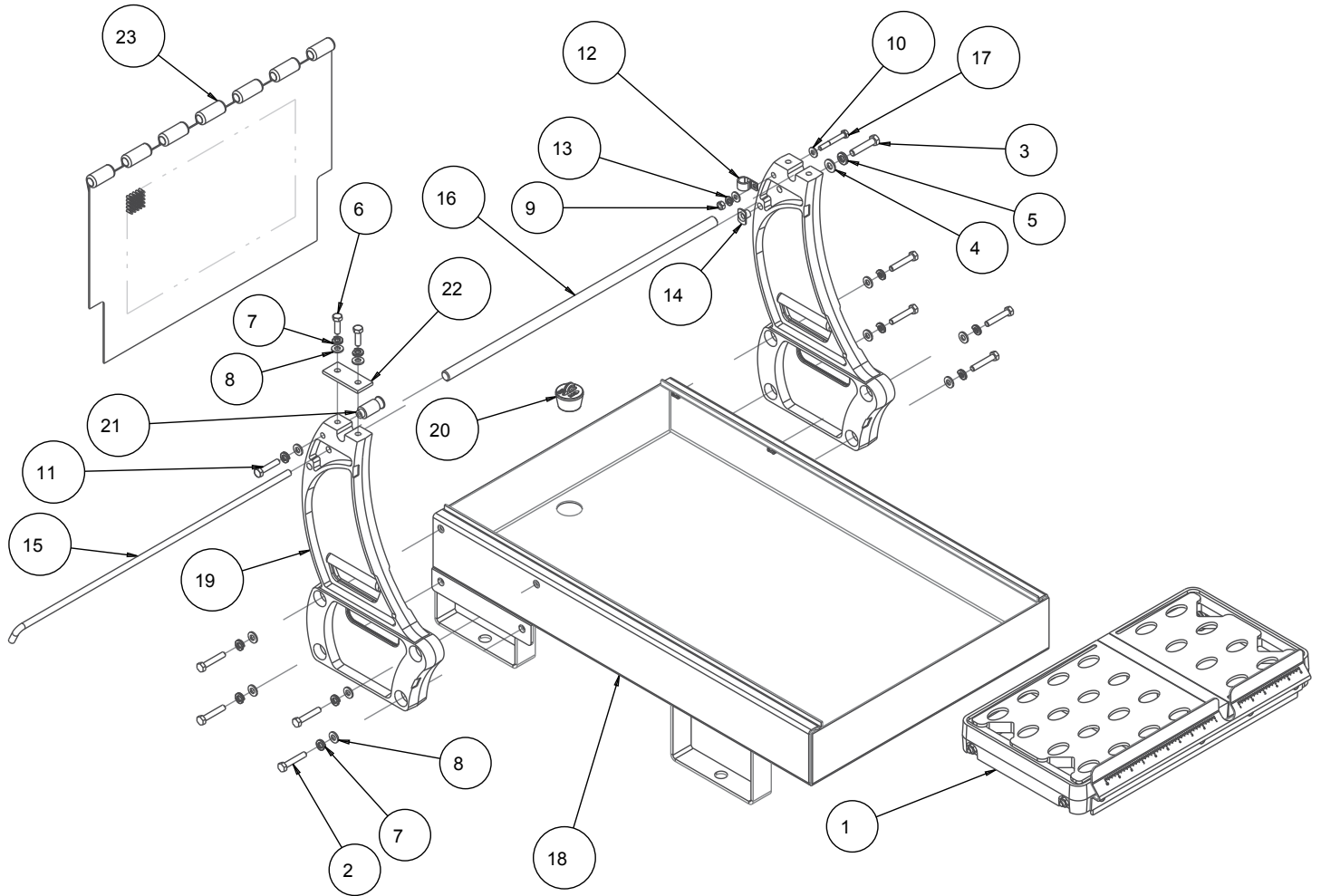
MK-2006V SAW ASSEMBLY PART # 169947



MK-2006V SAW ASSEMBLY PART # 169947

ITEM	DESCRIPTION	PART #	QTY.
1	WASHER, FLAT, USS, 3/8	101360	1
2	RIP GUIDE, BRICK/BLOCK SAW	132332-MK	1
3	WRENCH, 3/4 BOX END	134056	1
4	COLLAR, 1.13 ODX.625ID .5 WIDE	140012	2
5	WASHER, FLAT, SAE, 3/8	150923	7
6	SCREW, PAN HD, #10-24X3/8	151097	2
7	SCREW, HEX HD, 5/16-18X1	151743	2
8	WASHER, LOCK, SPLIT, 5/16	151747	2
9	NUT, HEX, 10-24	151749	2
10	WASHER, FLAT, SAE, 5/16	151754	2
11	HOSE, VINYL, 1/2X3/4 (6.0')	152410	1
12	CLAMP, SPRING	152453	1
13	NUT, HEX, NYLK, 3/8-16	152505	1
14	SCREW, HEX HD CAP, 3/8-16 X 1	152507	1
15	SCREW, HEX HD, CAP, 3/8-16 X 2-1/4	153529	1
16	CLAMP, HOSE, 7/8	154173	2
17	LABEL, MK BRICKSAW 12-1/2X1-3/4	155230	2
18	KNOB, TRI PLASTIC, 1"	156770-01	1
19	TAG, SERIAL NUMBER, BLANK	157500-RW	1
20	BRACKET, STAY LEVEL CLIPPER PAV	160068	1
21	SCREW, SHOULDER 3/8 X 1/2	160078	1
22	CONTRACTOR GRADE 14X125X1 10MM	166308	1
23	BAR, BLADE GUARD ADJ.	166602	1
24	BAR, CUTTING HEAD ADJ	166868	1
25	ASSY, CUTTING HEAD, 6.5 HP VANGUARD, 14"	170817-V	1
26	ASSY, FRAME, 2000	170818	1

ASSY. FRAME PART # 170818

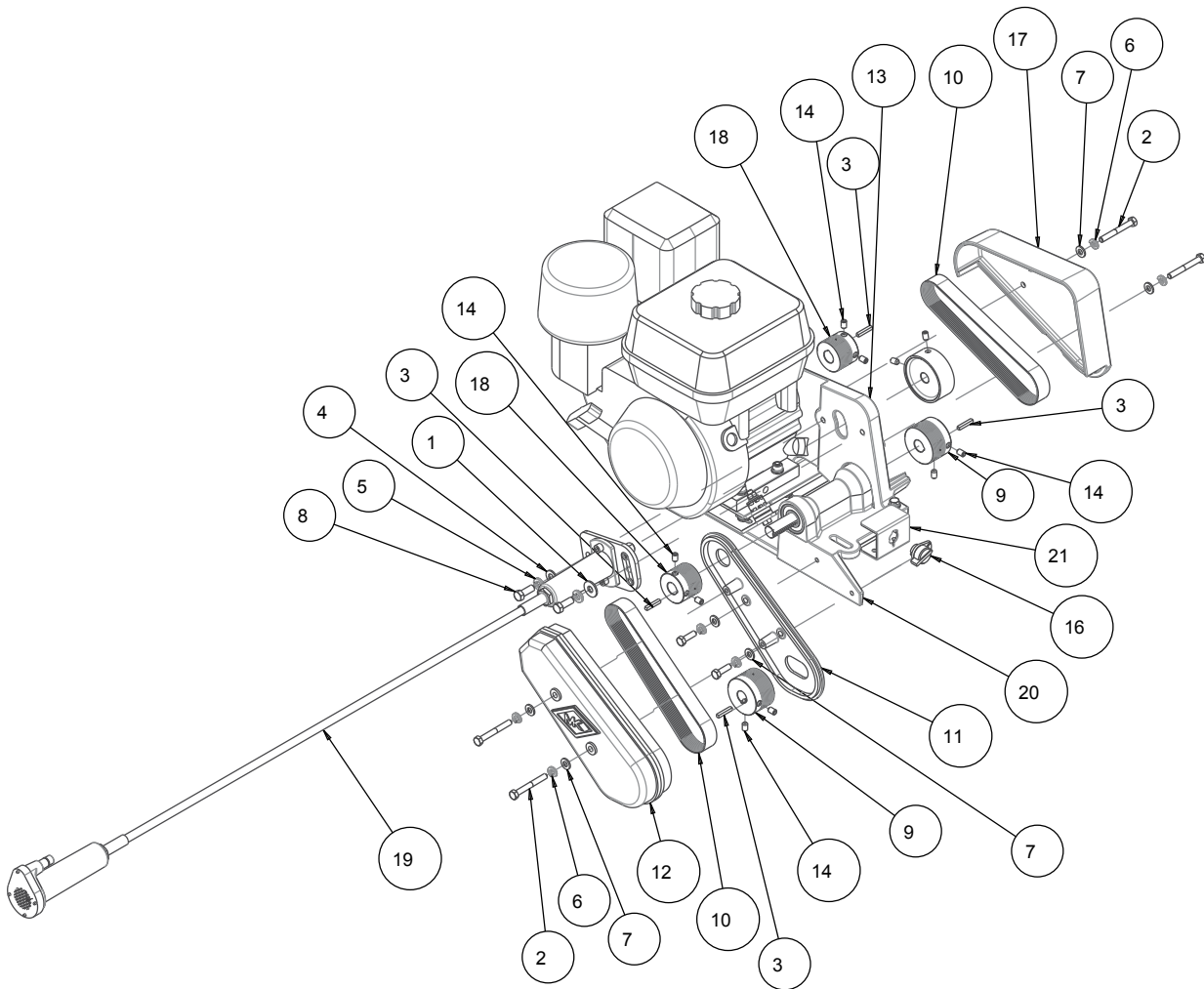


BOM SUBSTITUTION TABLE		SUB
PART NO.	DESCRIPTION	
170818-BD	ASSY, FRAME, 2000, BD	133082-BD

ASSY. FRAME PART # 170818

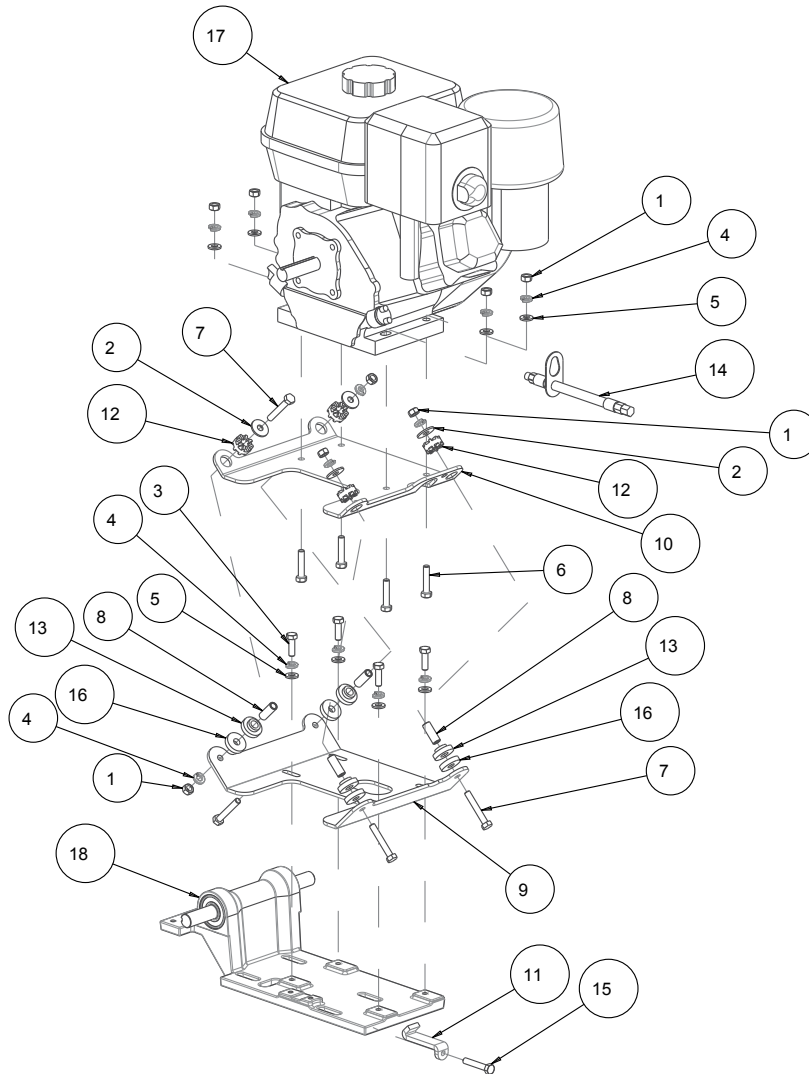
ITEM	DESCRIPTION	PART #	QTY.
1	ASSY, CONVYR CART	133082	1
2	SCREW, HEX HD, CAP, 5/16-18X1-3/4	150919	8
3	SCREW, HEX HD, 3/8-16 X 1-3/4	150920	1
4	WASHER, FLAT, SAE, 3/8	150923	1
5	WASHER, LOCK, SPLIT, 3/8	150925	1
6	SCREW, HEX HD, 5/16-18X1	151743	2
7	WASHER, LOCK, SPLIT, 5/16	151747	11
8	WASHER, FLAT, SAE, 5/16	151754	11
9	NUT, HEX, 1/4-20	151893	1
10	WASHER, FLAT, SAE, 1/4	151915	2
11	SCREW, 5/16-18 X 1-1/2 HEX HEAD MACHINE	152467	1
12	CLAMP, 1/2 CUSHION LOOP	152471	1
13	WASHER, LOCK, SPLIT, 1/4	152591	1
14	NUT, WELD, SLAB. 3/8-16	153945	1
15	ROD, SPLASH CURTAIN	153956	1
16	SHAFT, PIVOT, 5/8	154147	1
17	SCREW, HEX HD 1/4-20 X 2	158282	1
18	WELDMENT, BASE FRAME	158845	1
19	POST (COMP)	158846	2
20	DRAIN PLUG, W/RING	159529	1
21	STUD, SPRING RETAINING	160066	1
22	BRACKET, PIVOT SHAFT	160070	1
23	CURTAIN, SPLASH, MK-2000	160972	1

ASSY. ENGINE MK-2000G VANGUARD PART # 170819-V



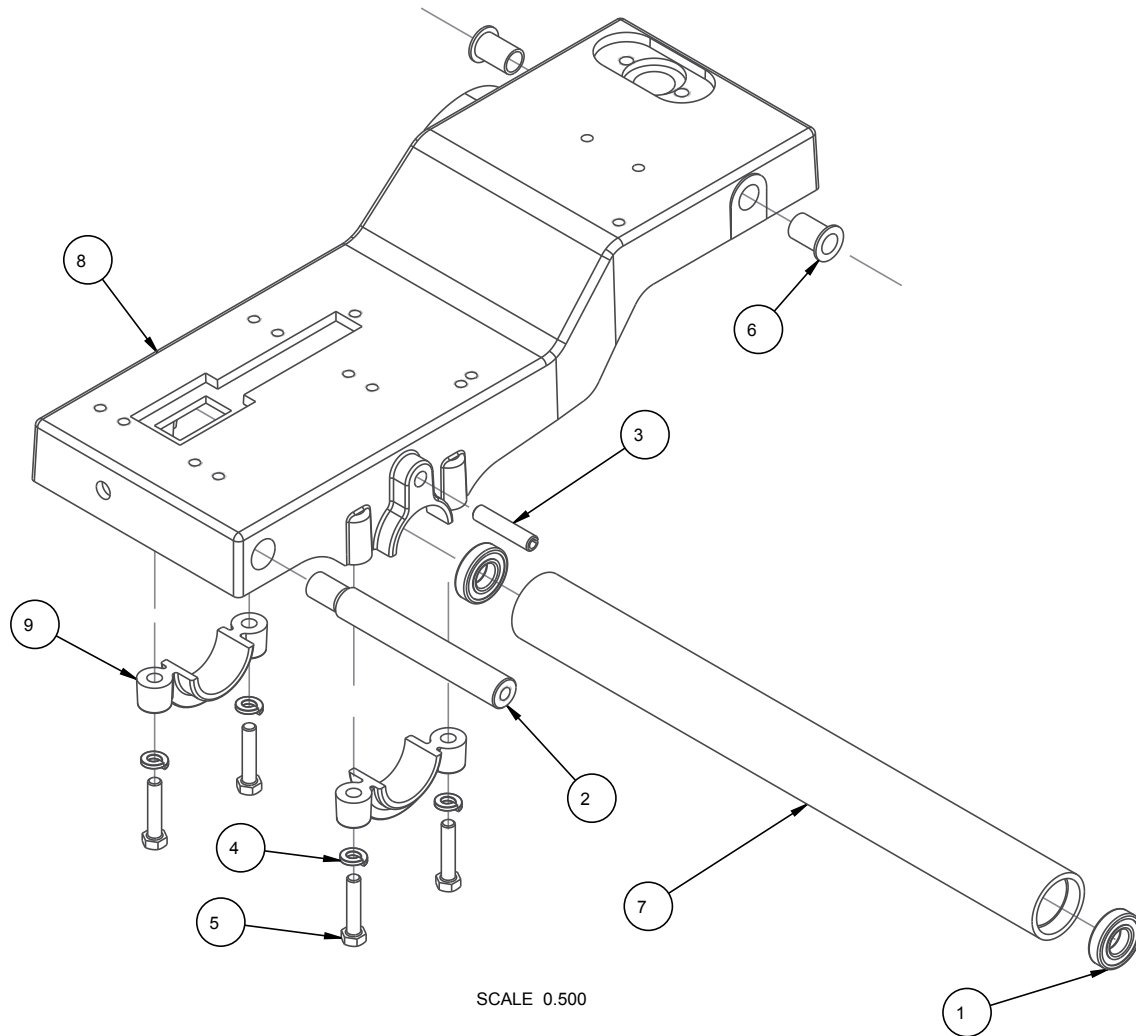
ITEM	DESCRIPTION	PART #	QTY.
1	WASHER, FLAT, USS, 3/8	101360	1
2	SCREW, HEX HD, 5/16-18X2-1/2	101675	4
3	KEY, 3/16 SQ X 1-1/8	150344	4
4	WASHER, FLAT, SAE, 3/8	150923	1
5	WASHER, LOCK, SPLIT, 3/8	150925	2
6	WASHER, LOCK, SPLIT, 5/16	151747	21
7	WASHER, FLAT, SAE, 5/16	151754	17
8	SCREW, HEX HD CAP, 3/8-16 X 1	152507	2
9	PULLEY, 10J23 X 3/4 BORE	156292	2
10	BELT, 10J218	156294	2
11	BELT GUARD, INNER ARBOR (MACH)	156669	1
12	CASTING, BELT GUARD, OUTER, 2000G-RAW	156670	1
13	BELT GUARD, ENGINE, INNER (COMP)	156671	1
14	SCREW, 5/16-18 X 3/8 SOCKET HEAD SET	157084	8
15	WIRE HARNESS, BRICK SAW GAS	157414	1
16	SWITCH, ENGINE ON/OFF, HONDA	157851	1
17	GUARD, ENGINE, OUTER (COMP)	160063	1
18	PULLEY, 10J19 X .75 BORE	160950	2
19	ASSY, PUMP, WATER, 2005/6 GAS	161126	1
20	ASSY, ENGINE MOUNT, 2000G	170820	1
21	BRACKET, SWITCH (GAS)	231313	1

ASSY. ENGINE MK-2000G VANGUARD PART # 170819-V



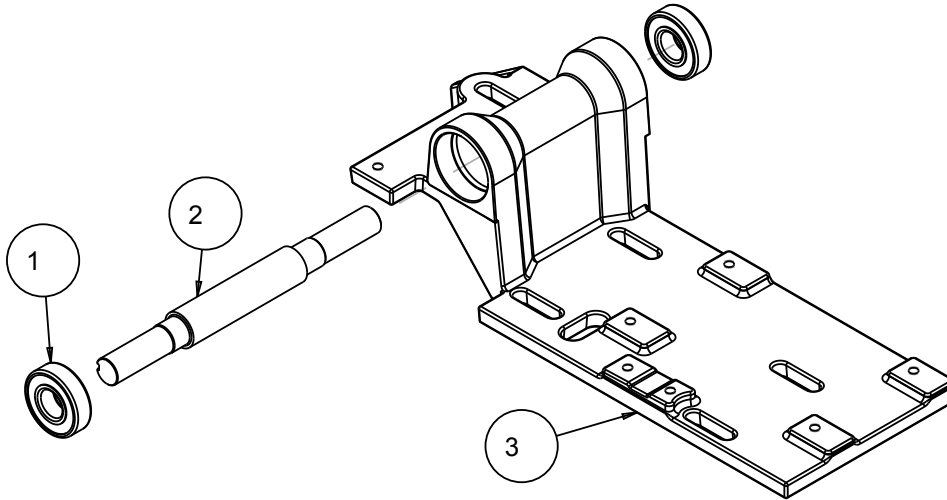
ITEM	DESCRIPTION	PART #	QTY.
1	NUT, HEX, 5/16-18	101196	8
2	WASHER, FENDER, 5/16 X 1.0	151053	4
3	SCREW, HEX HD, 5/16-18X1	151743	4
4	WASHER, LOCK, SPLIT, 5/16	151747	12
5	WASHER, FLAT, SAE, 5/16	151754	8
6	SCREW, 5/16-18 X 1-1/2 HEX HEAD MACHINE	152467	4
7	SCREW, 5/16-18 X 2 HEX HEAD	155494	4
8	STAND OFF, SHOCK MOUNT	156104	4
9	PLATE, ENGINE MNT LOWER	156296	1
10	PLATE, ENGINE MNT UPPER	156297	1
11	STRAP, BELT TENSION MK-2005	156955	1
12	PLATE, ENGINE MNT UPPER	156961	4
13	MOUNT, SHOCK LOWER	156962	4
14	ASSY, OIL DRAIN, 10MM	157577-01	1
15	SCREW, HEX HD, TAP, 5/16-18 X 1-3/4	160948	1
16	MOUNT, SHOCK, WASHER	164244	4
17	ENGINE, VANGUARD 13H33292, 6.5HP	168819	1
18	ASSY, ENGINE MOUNT, 2000G	170820	1

ASSY, MOTOR MOUNT PART # 160966



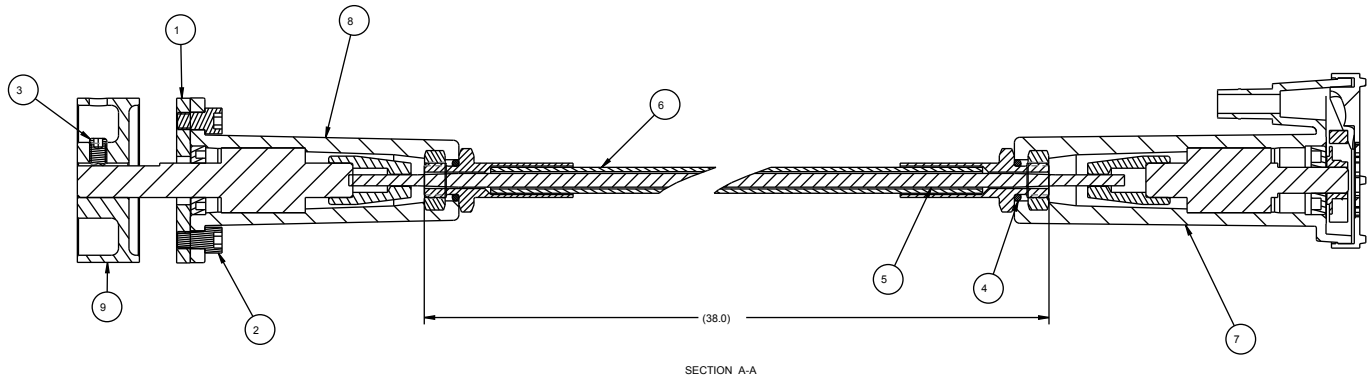
ITEM	DESCRIPTION	PART #	QTY.
1	BEARING, CUTTING HD PIV	140004	2
2	BAR, ADJUSTMENT	150585	1
3	PIN, SLOTTED SPRING, 3/8 X 1-3/4	151358	1
4	WASHER, LOCK, SPLIT, 5/16	151747	4
5	SCREW, 5/16-18 X 1-1/2 HEX HEAD MACHINE	152467	4
6	BUSHING, FLANGE, 1/2X5/8X1	156441	2
7	HOUSING, PIVOT SHAFT	157979	1
8	HEAD, CUTTING (COMP)	160346	1
9	CLAMP, CUTTING HEAD (COMP)	160397	2

MOTOR MOUNT PART # 170820



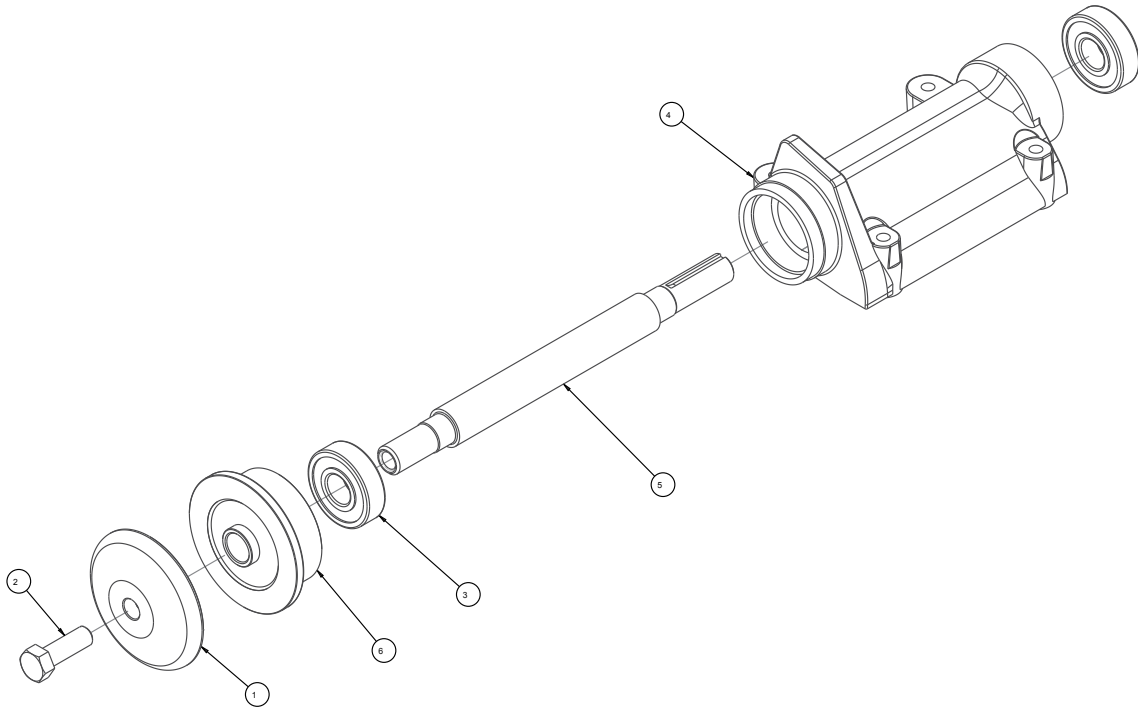
ITEM	DESCRIPTION	PART #	QTY.
1	BEARING, BLAD SHFT MK2000	139956	2
2	SHAFT, JACK	156295	1
3	MOUNT, ENGINE (COMP)	156673	1

ASSY, PUMP, WATER, 2005/6 PART # 161126



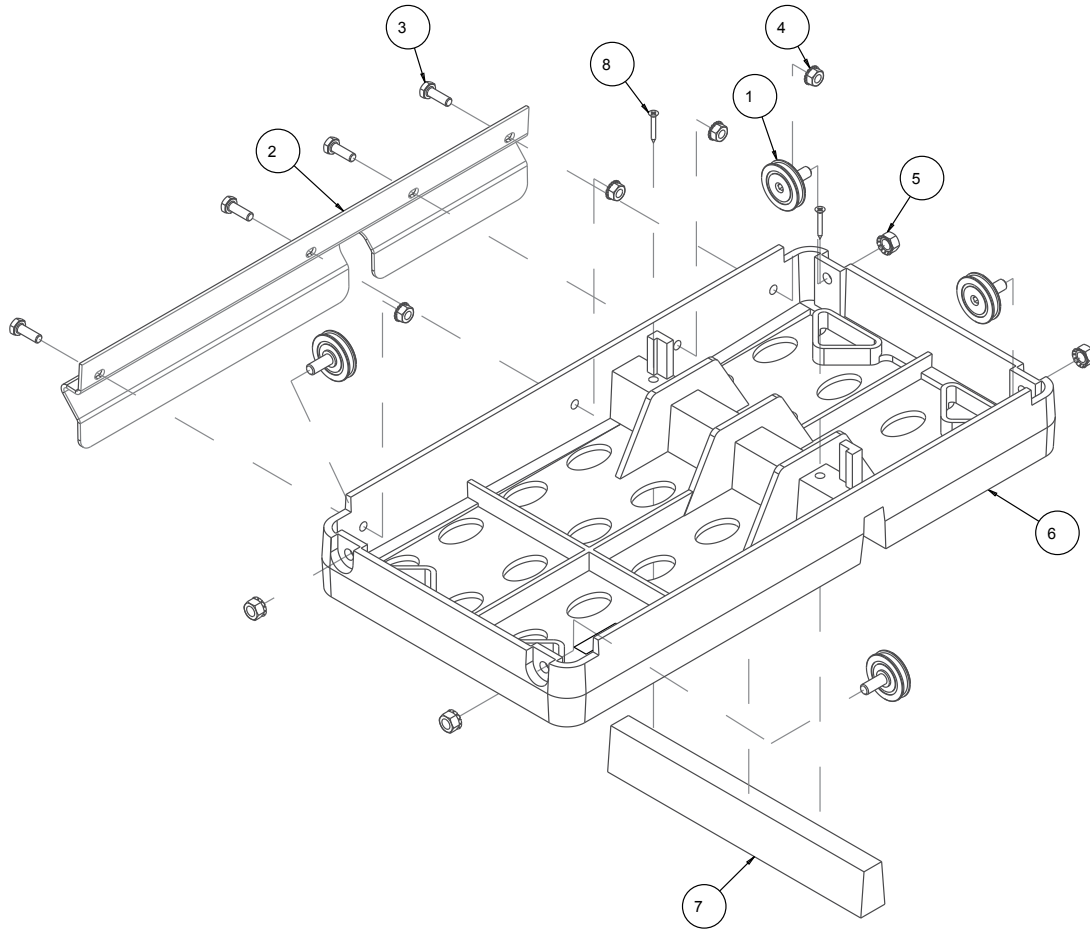
ITEM	DESCRIPTION	PART #	QTY.
1	PUMP MOUNTING PLATE	156108	1
2	SCREW, 5/16-18X1/2 SOCKET HEAD CAP	156139	2
3	SCREW, 5/16-18 X 3/8 SOCKET HEAD SET	157084	2
4	O-RING	160175	2
5	SHAFT, FLEX 40 3/4	160177	1
6	ASSY, HOUSING, 38" FLEX SHAFT	160178	1
7	ASSY, PUMP, CENTRIFUGAL WATER	160185	1
8	ASSY, DRIVER	160186	1
9	PULLEY, FLAT 3.0 DIA X 1.0 X 5/8	160431	1

ASSY. ARBOR PART # 154636



ITEM	DESCRIPTION	PART #	QTY.
1	FLANGE, OUTER	132290	1
2	SCREW, HEX HD 1/2-20X1-1/4	152122	1
3	BEARING, ARBOR HOUSING	154594	2
4	CASTING, 2000/5000 ARBOR - COMP	154637	1
5	SHAFT, BLADE	154639	1
6	FLANGE, INNER ARBOR, 3-5/8"	154640	1

ASSY TABLE PART # 133082



BOM SUBSTITUTION TABLE		SUB
PART NO.	DESCRIPTION	
133082-BD	ASSY, CONVYR CART	158144
		166310

ITEM	DESCRIPTION	PART #	QTY.
1	WHEEL, CONVEYOR CART	133090	4
2	BACKSTOP, CONVEYOR CART	134387	1
3	SCREW, HEX HD, 1/4 -20 X 3/4	152370	4
4	NUT, HEX TW, 1/4 - 20	153941	4
5	NUT, HEX TW 5/16 - 18	153942	4
6	TABLE, D.C., COMP	158144	1
7	WOOD STRIP, TABLE INSERT	158283	1
8	SCREW, DRYWL, FLAT HD, #6X1	159906	2